

# Vertical auger dosing unit

for the dosage of powders and granules  
from 0,1 ml up to 100 ml

## SD550



Pharmaceutical industry



Cosmetics industry



Food industry



Chemicals industry

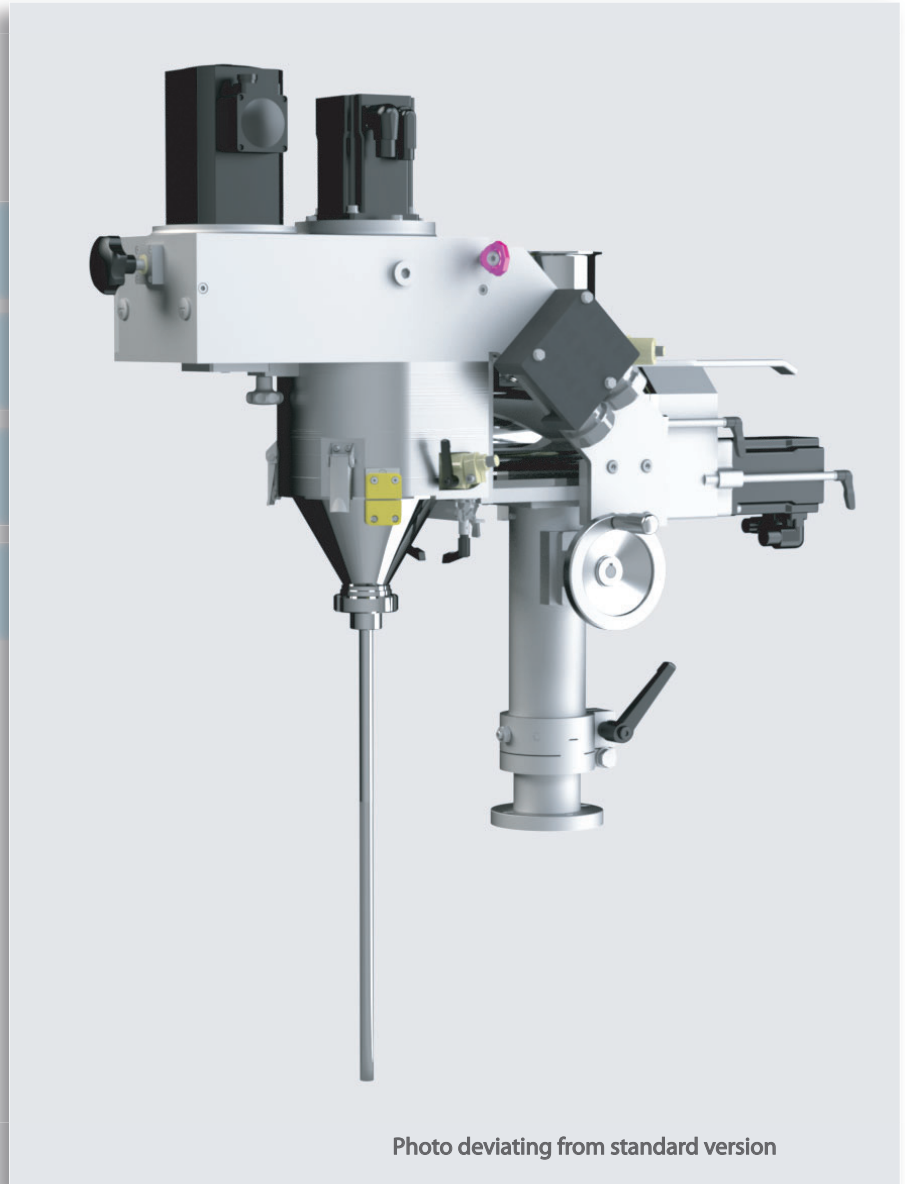


Photo deviating from standard version

## Range of products:

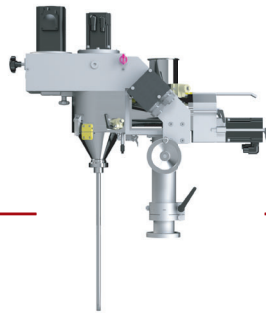
### POWDERS AND GRANULES

from 0,1 ml - approx.100 ml

e.g. pharmaceutical products, salt, sugar, spices, soups powder, milkpowder, cappuccino, instant coffee, coffee creamer, baker's yeast, detergents, spot removal salt, seed, ...

# Vertical auger dosing unit

## Type: SD550



**MERZSYSTEM**

Verpackungsmaschinen

### Description of operation:

The auger dosing unit type SD550 is a vertically operating dosing auger for the dosage of powders and granules (also poor-flowing ones and dust developing products, too).

The exchangeable dosing auger conveys the product through the auger tube, usually directly into a prefabricated bag.

All product-contact parts are made of stainless steel and they constitute materials which are FDA approved.

The number of auger revolutions is adjustable up to 3000 1/min

The dosing unit is driven by means of a servo motor, whose drive shaft is directly connected by its elongation with the dosing auger.

The stirrer is driven by means of a separate three-phase motor.

The dosing quantity results from: "flight volume" multiplied by the number of auger rotations per dosing operation.

The auger rotations are freely adjustable.

The dosing unit is equipped with a "horizontal infeed auger", which conveys the product from a product supply or from a storage container into the dosing hopper and which, therefore, decouples the filling of product fluctuations in the storage area. By means of a product level controller, the filling level in the dosing hopper is kept constant. The refill rhythm is adjustable.

### Technical Data:

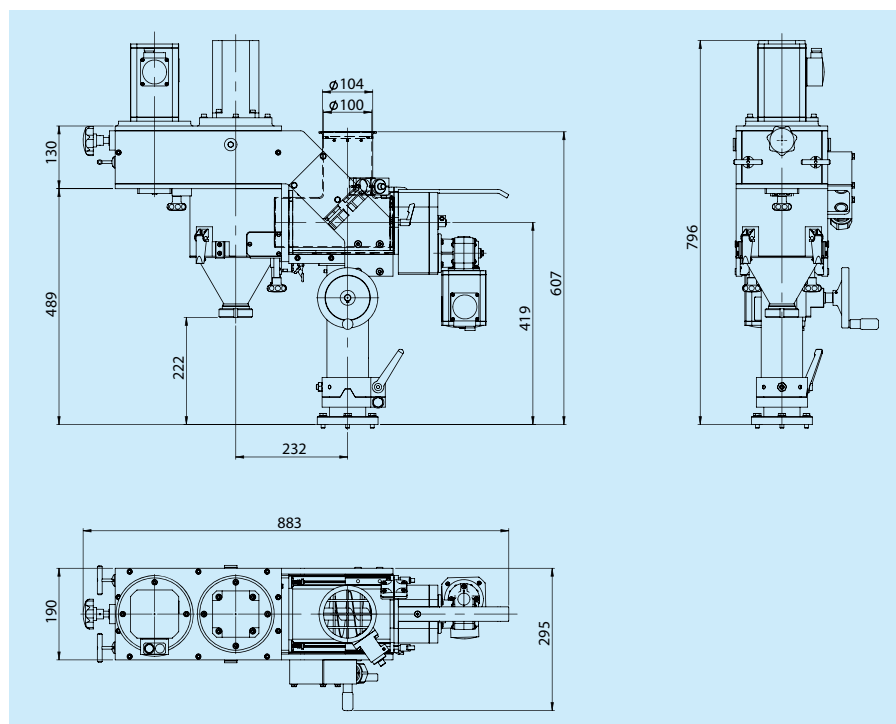
Dosing ranges	from 0,1 ml up to 100 ml
Output	up to 120 doses/min
Wattage	approx. 0,37 KW
Voltage supply standard	400V/3/N/PE/50Hz
Protection class	IP 54
Weight	approx. 45 kg
Colour standard	Stainless steel- ALU

### Technical Details:

- ◆ Constructed in the building block system
- ◆ Compact, robust, long-life construction
- ◆ For screws from Ø8 up to max. Ø30 mm.
- ◆ All parts in contact with the product are made of stainless steel - or another approved material
- ◆ Infinitely variable servo-drive of auger
- ◆ Separate stirrer drive right-hand or, respectively, left-hand rotation switchable
- ◆ Quick format change
- ◆ Easy to operate
- ◆ Low-maintenance
- ◆ Quick and easy cleaning
- ◆ The machine meets the current CE - guidelines

### Options:

- ◆ Tendentious control in combination with a weighing machine
- ◆ Ventilation and gas flushing of product
- ◆ Special sets of dosing augers
- ◆ Different systems to close the auger tube, e.g. end cut-off disc for free-flowing products



Since 1971



Made in Germany