

Stickpack forming-, filling- and sealing machine

for small tubular bags with an optimum saving of packaging material
- The universal machine with high efficiency -



SB 51-2LS



Pharmaceutical Industry



Cosmetics Industry



Chemicals Industry



Photo deviating from standard version



LIQUIDS (0,2 - 100 ml)

Gels, ointments, syrup, juices, oils, watery liquids, etc.

CREAMS (0,2 - 100 ml)

Skin cream, lip balm etc.

POWDER AND GRANULES (0,2 - 100 ml)

Medicinal product in powder form and in granules, baby food, pellets, salts etc.

SMALL PIECE GOODS

Tablets, micro tablets, coated tablets, test strips etc.

Stickpack forming- filling- and sealing machine

Type: SB51-2LS



MERZSYSTEM

Verpackungsmaschinen



Description of operation:

The packaging machine SB51-2LS is a vertically operating, fully automatic forming-, filling- and sealing machine for the production of very small tubular bags, the so called "Stickpacks".

The machine processes flexible, composite films (foils) from the flat foil reel.

In a sequence of single operations, the film is drawn off from the reel, formed to a tube during transportation and sealed lengthwise, filled then, sealed transversally and cut off.

A photocell control assures the exact positioning of the print.

The packaging machine SB 51-2-LS is conceived as a 1-lane basic machine for the production of bags, constructed as a double machine. This means that there are two machines in the housing which are operating independently from each other.

In combination with different product supply systems and dosing units, a wide range of products can be packed.

Technical data

Bag width standard	12 - 50 mm
Special bag width	on request
Bag length	20 - 200 mm
Filling volume per bag	0,2 ml - 100 ml
Capacity cycles/min* (2 x)	0 - 80
Output bags/min	up to 160
Number of lanes	2 separate lanes
Diameter of film reel	max. 400 mm
Width of film reel	max. 111 mm
Diameter of film reel core	70/76 mm
Sealing pressure	up to 1000 N
Air connection	6 bar
Wattage	approx. 4 KW
Voltage supply standard	400V/3/N/PE/50Hz
Protection class	IP 54
Weight	approx. 1000 kg
Colour standard	stainless steel aluminum
Packaging material	all current, heat-sealable composite films

*Depending on product, filling quantity and packaging material

Technical details

- ◆ GMP-compliant design
- ◆ Compact balcony construction
- ◆ Stainless steel version
- ◆ Independent operation of each station
- ◆ Infinitely variable speed
- ◆ Sealing temperature separately controllable
- ◆ Siemens S7 PLC
- ◆ Only a few movable parts
- ◆ Low total height
- ◆ Excellent accessibility
- ◆ High flexibility
- ◆ Low costs for format parts
- ◆ Wide range of formats

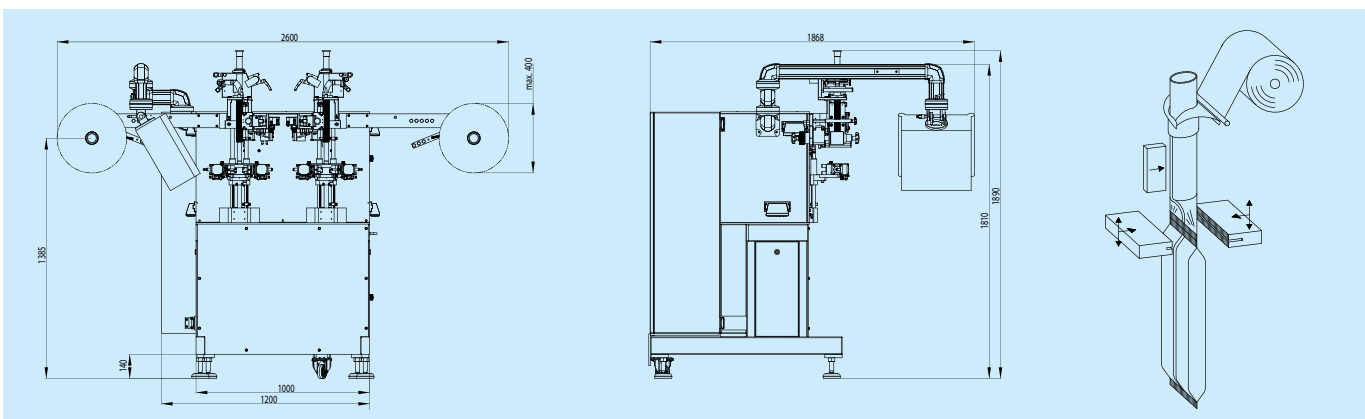
Options

- ◆ Printing units
- ◆ Camera systems
- ◆ Ionization device
- ◆ Child resistant opening features
- ◆ Tear slit / tear notch
- ◆ Unit for the production of bags in chain
- ◆ Dust absorption
- ◆ Sealing seam offset to the side (up to format set of 30mm)
- ◆ Gas flushing unit
- ◆ Sorting unit
- ◆ Conveyor systems
- ◆ Line integration



Sealing station swivable

-up to 30 mm bag width - longitudinal sealing at side possible



Since 1971



Made in Germany